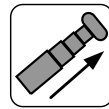


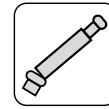
# SPX 1040 EXT TRACKS



8800 lbs

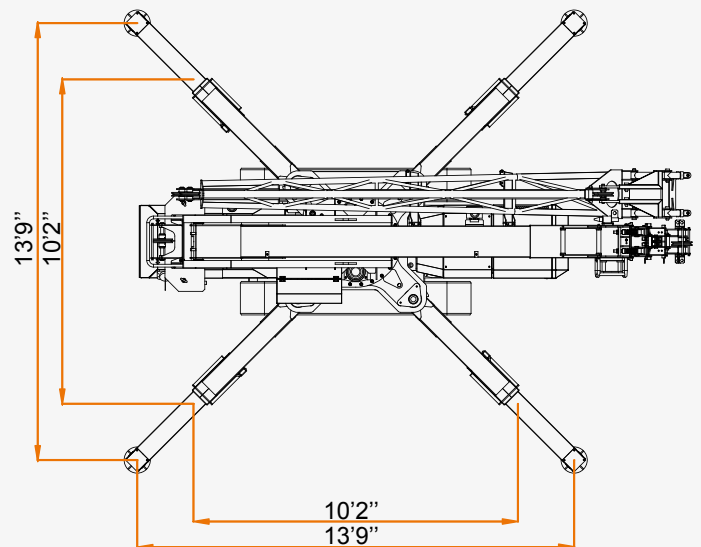


15'1" - 47'7"



15'9" - 24'7"

	12320 lbs	1430 lbs	2T-D7: 88 lbs	JIB500G: 682 lbs	
	17'5"x4'7"x6'6"		1.24 MPH		25°
	9900 lbs		8.39 PSI		
	<p><b>Engine:</b> 3 cylinders water cooled diesel, ISUZU mod. 3CB1, 2 rpm levels, EPA TIER 4  <b>Motore:</b> 3 cilindri diesel raffreddato a liquido, ISUZU mod. 3CB1, 2 livelli di regime, EPA TIER 4  <b>Motor:</b> Wassergekühlter 3 Zylinder Diesel Motor, ISUZU mod. 3CB1, 2 rpm, EPA TIER 4  <b>Motor:</b> Diesel 3 cilindros con refrigeración por aire, ISUZU mod. 3CB1, 2 niveles rpm, EPA TIER 4  <b>Moteur:</b> Diesel 3 cylindres, refroidissement à eau, ISUZU mod. 3CB1, accélérateur à 2 niveaux, EPA TIER 4</p>				
	8kW 240V-60Hz-AC 1F		110 lbs		
<p><b>Telescopic Boom:</b> 1 base and 3 telescopic sections high-tensile structural steel. All sections synchronized and full power.  <b>Braccio Telescopico:</b> 1 braccio principale e 3 telescopici in acciaio strutturale ad alta resistenza. Sfilo completamente idraulico e sincronizzato.  <b>Teleskopausleger:</b> 1 Hauptausleger + 3 Hochwiderstand Stahl Teleskopausleger. Voll hydraulischer und teleskopierbarer Ausleger.  <b>Pluma Telescópica:</b> 1 pluma principal y 3 telescópicas en acero de alta resistencia. Elementos sincronizados e hidráulicos.  <b>Flèche Téléscopique:</b> 1 flèche principale et 3 téléscopiques en acier à haute résistance. Éléments synchronisés et hydrauliques.</p>					
	360° 1 rpm		-4°/80° 35"		
	15'1" - 47'7" 40"		1980 lbs - 262' - Ø 3/8 in 98/180 ft/min.		



# SPX 1040 EXT TRACKS

